

इंटरनेट

मानक

### Disclosure to Promote the Right To Information

Whereas the Parliament of India has set out to provide a practical regime of right to information for citizens to secure access to information under the control of public authorities, in order to promote transparency and accountability in the working of every public authority, and whereas the attached publication of the Bureau of Indian Standards is of particular interest to the public, particularly disadvantaged communities and those engaged in the pursuit of education and knowledge, the attached public safety standard is made available to promote the timely dissemination of this information in an accurate manner to the public.

“जानने का अधिकार, जीने का अधिकार”

Mazdoor Kisan Shakti Sangathan

“The Right to Information, The Right to Live”

“पुराने को छोड़ नये के तरफ”

Jawaharlal Nehru

“Step Out From the Old to the New”

IS 12583 (1988): corrugated bitumen roofing sheets [CED 5: Flooring, Wall Finishing and Roofing]



“ज्ञान से एक नये भारत का निर्माण”

Satyanarayan Gangaram Pitroda

“Invent a New India Using Knowledge”



“ज्ञान एक ऐसा खजाना है जो कभी चुराया नहीं जा सकता है”

Bhartrhari—Nitiśatakam

“Knowledge is such a treasure which cannot be stolen”



BLANK PAGE



*Indian Standard*

**SPECIFICATION FOR CORRUGATED  
BITUMEN ROOFING SHEETS**

UDC 69·024·153·3 : 691·165 - 417·2

© *Copyright* 1989

**BUREAU OF INDIAN STANDARDS**  
MANAK BHAVAN, 9 BAHADUR SHAH ZAFAR MARG  
NEW DELHI 110002

**AMENDMENT NO. 1 JANUARY 1993  
TO  
IS 12583 : 1988 SPECIFICATION FOR CORRUGATED  
BITUMEN ROOFING SHEETS**

( Page 1, clause 3.1 ) — Insert the following size at the end:

Length (mm)	Width (mm)	Thickness (mm)	Depth of Corrugation (mm)	Pitch of Corrugation (mm)
1 800	900	3 to 5	35	90'

( Page 1, clause 3.2, Note ) — Insert the following at the end:

'The tolerance in thickness shall be +1 mm.'  
0

[ Page 1, Table 1, Sl No. (i), col 3 ] — Substitute '3 to 5' for '5'.

( Page 2, Table 2 ) — Insert the following matter at the end:

SL No. (1)	SIZE (2) mm	THICKNESS (3) mm	MASS (4) kg
ii)	1 800 × 900	3	5.4 ± 0.2
		4	7.2 ± 0.2
		5	9.0 ± 0.2'

( Page 2, clause 6.1, last sentence ) — Substitute the following for the existing sentence:

'External surface of the sheets shall be painted.'

( Page 2, Table 3, Sl No. (i), col 3 ] — Delete the words 'Not to exceed'.

( CED 5 )

Reprography Unit, BIS, New Delhi, India

**AMENDMENT NO. 2 APRIL 1999  
TO  
IS 12583 : 1988 SPECIFICATION FOR CORRUGATED  
BITUMEN ROOFING SHEETS**

( *Page 1, clause 2.1* ) — Substitute the following for the existing clause:

**'2.1 The bitumen used shall conform to IS 73 : 1992\*.'**

( *Page 1, footnote* ) — Substitute the following for the existing footnote:

**'\*Specification for paving bitumen ( *second revision* ).'**

( CED 5 )

---

Reprography Unit, BIS, New Delhi, India

## Indian Standard

# SPECIFICATION FOR CORRUGATED BITUMEN ROOFING SHEETS

### 0. FOREWORD

0.1 This Indian Standard was adopted by the Bureau of Indian Standards on 20 December 1988, after the draft finalized by the Flooring and Plastering Sectional Committee had been approved by the Civil Engineering Division Council.

0.2 These sheets can be used for temporary applications for limited duration. Proper installation methods as suggested by the manufacturer shall be followed and it is recommended that due caution should be exercised in their use under extreme climatic conditions.

0.3 Purlins provided for bitumen roofing sheets shall not sag under its own weight during

its life period and shall be spaced 550 mm centre to centre. Purlins should also be provided on eaves and the maximum overhang of sheets should be restricted to 75 mm.

0.4 For the purpose of deciding whether a particular requirement of this standard is complied with, the final value, observed or calculated, expressing the result of a test, shall be rounded off in accordance with IS : 2-1960\*. The number of significant places retained in the rounded off value should be the same as that of the specified value in this standard.

\*Rules for rounding off numerical values (revised).

### 1. SCOPE

1.1 This standard specifies the requirements of corrugated bitumen roofing sheets used as light roofing material.

### 2. MATERIALS

2.1 The bitumen used shall conform to IS : 73-1961\*.

2.2 The paper board used in the manufacture of bitumen roofing sheets shall conform to the requirements given in Table 1.

### 3. DIMENSIONS AND TOLERANCES

3.1 The standard size of the sheets shall be as follows:

Length (mm)	Width (mm)	Thickness (mm)	Depth of Corrugation (mm)	Pitch of Corrugation (mm)
1 200	750	3 to 5	35	90

\*Specification for paving bitumen (revised).

3.2 The permissible tolerances on dimensions specified in 3.1 shall be as follows:

Dimensions	Tolerances mm
Length	±5
Width	±20

NOTE — The thickness of the sheets shall be taken as the average of six measurements along the width and shall be measured with screw gauge having an anvil of 9 mm diameter.

### 4. MASS

4.1 The mass of the sheets shall conform to those given in Table 2.

### 5. PHYSICAL REQUIREMENT

5.1 The sheets shall conform to the requirements given in col 3 of Table 3 when tested in accordance with the provisions given in col 4.

**TABLE 1 REQUIREMENTS OF PAPER BOARD**  
(Clause 2.2)

Sl. No. (1)	CHARACTERISTIC (2)	REQUIREMENT (3)	METHOD OF TEST (4)
i)	Thickness, mm	5	7 of IS : 1060 ( Part 1 )-1966*
ii)	Weight, kg/m <sup>2</sup> for 3 mm thick for 4 mm thick for 5 mm thick	1.50 2.00 2.50	6 of IS : 1060 ( Part 1 )-1966*
iii)	Ash content, percent	7	11 of IS : 1060 ( Part 1 )-1966*
iv)	Tensile strength, kg/cm <sup>2</sup>	25	12 of IS : 1060 ( Part 1 )-1966*
v)	Breaking load for 300 mm span, 750 mm width	60 kg	Appendix D

\*Methods of sampling and test for paper and allied products : Part 1 ( revised ).

**TABLE 2 WEIGHT OF SHEETS**  
(Clause 4.1)

Sl No.	SIZE	THICKNESS	MASS
(1)	(2)	(3)	(4)
	mm	mm	kg
i)	1 200 x 750	3	3 ± 0.2
		4	4 ± 0.2
		5	5 ± 0.2

## 6. FINISH

6.1 The sheets shall have true shape, good appearance and shall be free from visible defects. The corrugations shall be true and regular. The edges of the sheets shall be straight and clean. Both surfaces of the sheets shall be painted with aluminium paint.

## 7. PACKING

7.1 The sheets shall be packed in accordance with the usual trade practice to avoid damage, discoloration, deformation, etc.

## 8. MARKING

8.1 Each package shall be legibly and indelibly marked with the following information:

- a) Name of the manufacturer or his trade mark;

b) Batch No. and month and year of manufacture; and

c) Dimensions.

8.1.1 Each sheet may also be marked with the Standard Mark.

NOTE — The use of the Standard Mark is governed by the provisions of the Bureau of Indian Standards Act, 1986 and the Rules and Regulations made thereunder. The Standard Mark on products covered by an Indian Standard conveys the assurance that they have been produced to comply with the requirements of that standard under a well defined system of inspection, testing and quality control which is devised and supervised by BIS and operated by the producer. Standard marked products are also continuously checked by BIS for conformity to that standard as a further safeguard. Details of conditions under which a licence for the use of the Standard Mark may be granted to manufacturers or producers may be obtained from the Bureau of Indian Standards.

## 9. SAMPLING AND CRITERIA FOR CONFORMITY

9.1 The procedure of sampling and criteria for conformity shall be as given in Appendix M.

**TABLE 3 REQUIREMENTS OF CORRUGATED BITUMEN ROOFING SHEETS**  
(Clause 5.1)

Sl No.	CHARACTERISTIC	REQUIREMENT	METHOD OF TEST, REF TO APPENDIX
(1)	(2)	(3)	(4)
i)	Bitumen content	Not to exceed 50 ± 5 percent	A
ii)	Uniformity of impregnation	Bitumen content in outer and central layers of the sheet shall not vary by more than 5 percent	B
iii)	Ash content	Shall not be more than 10 percent	C
iv)	Breaking load	100 kg (1 000 N), <i>Min</i> for all thicknesses	D
v)	Water absorption	Shall not be more than 8 percent	E
vi)	Impermeability	No water or moisture on the lower surface of the test specimen shall be visible or felt	F
vii)	Impact resistance	Shall not tear, break or crack	G
viii)	Wet load bearing capacity	The specimen shall not crack and sag and shall recover from the deflection, if any	H
ix)	Accelerated weathering (type test)	Shall be free from cracks, colour change or any other surface defects. There shall be no change in flexibility and overall appearance when compared to unexposed sheets	J
x)	Temperature susceptibility	a) Shall be no softening or any apparent change of colour, finish, etc b) Shall not crack or deform	K

## APPENDIX A

[ Table 3, Sl No. (i) ]

### DETERMINATION OF BITUMEN CONTENT

#### A-1. OBJECT

A-1.1 To determine the percentage of bitumen content in corrugated bitumen roofing sheets.

#### A-2. APPARATUS AND REAGENTS

A-2.1 Glass Beaker — 600 ml capacity.

A-2.2 Circulating Air Oven — having thermo-plastic control that shall maintain a temperature of 60 ± 2°C.

A-2.3 Balance — capable of measuring to 0.001 g.

A-2.4 Mineral Turpentine — colourless.

#### A-2.5 Benzene

#### A-3. TEST SAMPLES

A-3.1 Two test samples (about 0.5 g each) of very small pieces of sheets after removal of the top painted layer.

#### A-4. PROCEDURE

A-4.1 Weigh the pieces to nearest 0.1 g and place them in the glass beaker. Add 250 ml colourless mineral turpentine. Stir with a glass rod and allow it to stand for 24 h. Decant the



supernatant liquid. Add 20 ml of benzene to the residue and shake the beaker. Decant the benzene after 2 h and dry the beaker in the oven maintained at a temperature of 60°C. Wash and dry the test pieces and weigh again.

#### A-5. REPORT

A-5.1 The loss in mass shall be expressed as a percentage of original mass and the average value of two test samples recorded to the nearest 0.1 percent shall be recorded.

### APPENDIX B

[ Table 3, Sl No. (ii) ]

#### DETERMINATION OF UNIFORMITY OF IMPREGNATION

##### B-1. OBJECT

B-1.1 To determine asphalt content in the outer and central layers of the sheets.

##### B-2. APPARATUS

B-2.1 The apparatus and reagents shall be the same as given in A-2.

##### B-3. TEST SPECIMENS

B-3.1 The test specimen shall consist of:

- a) Small pieces ( about 0.5 g ) of the last but one layer ( first below the painted layer ) of the sheet.

- b) Small pieces ( about 0.5 g ) of the central layer of the sheet.

##### B-4. PROCEDURE

B-4.1 Determine the asphalt content of two layers separately in accordance with the procedure given in A-4.

##### B-5. REPORT

B-5.1 The difference of asphalt content in the two layers shall be reported.

### APPENDIX C

[ Table 3, Sl No. (iii) ]

#### DETERMINATION OF ASH CONTENT

##### C-1. OBJECT

C-1.1 To determine the ash content in corrugated asphaltic roofing sheets.

##### C-2. APPARATUS

C-2.1 Silica Crucible

##### C-3. TEST SAMPLE

C-3.1 Two test samples ( about 1 g each ) of very small piece of the sheet after removing the top painted surface.

##### C-4. PROCEDURE

C-4.1 Transfer the piece into silica crucible and weigh. Cover the crucible with a lid and ignite to constant mass.

##### C-5. CALCULATION

C-5.1 Calculate the ash content as follows:

$$\text{Ash content} = \frac{\text{Mass of ash}}{\text{Mass of piece}} \times 100$$

C-5.2 The average value of two test samples calculated to the nearest 0.1 percent shall be recorded.

### APPENDIX D

[ Table 3, Sl No. (iv) ]

#### DETERMINATION OF BREAKING LOAD

##### D-1. OBJECT

D-1.1 To determine the load at failure for corrugated asphaltic roofing sheets.

##### D-2. APPARATUS

D-2.1 Two rigid and hard parallel wooden supports of 150 mm depth and 75 mm width with a clear span of 600\* mm shall be provided for supporting the test piece. The supports shall

be at right angle to the direction of corrugation of the sheets. A third wooden piece of 225 mm width for application of load to the test piece shall be provided.

##### D-3. TEST SPECIMEN

D-3.1 Three test pieces each of length and width same as the original sheet.

##### D-4. PROCEDURE

D-4.1 Support the test piece on two parallel wooden supports. Place the third wooden

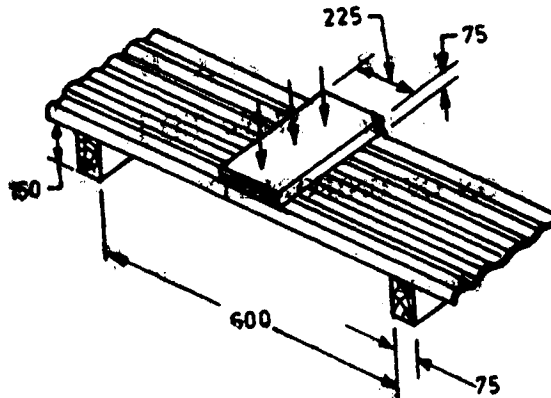
\*Clear span is reduced to 300 mm when paper board is tested.

piece over the test sample at a position midway between and parallel to the supports (see Fig. 1). Apply the load slowly and gradually with common building bricks till failure occurs.

The load at failure shall be noted.

**D-5. REPORT**

**D-5.1** The average of all the three determinations shall be reported.



All dimensions in millimetres.

FIG. 1 APPARATUS FOR DETERMINING BREAKING LOAD FOR 600 mm SPAN

**APPENDIX E**

[ Table 3, Sl No. (v) ]

**DETERMINATION OF WATER ABSORPTION**

**E-1. OBJECT**

**E-1.1** To determine the percentage water absorption of corrugated asphaltic roofing sheets.

**E-2. TEST SPECIMEN**

**E-2.1** Five test pieces each measuring 100 × 100 mm shall be cut from different sheets.

**E-3. PROCEDURE**

**E-3.1** Weigh the test piece and immerse completely in distilled water at a temperature of  $27 \pm 2^\circ\text{C}$  for 24 h. Immediately after removal from water, the surface of the test piece shall be wiped dry and then weighed.

**E-4. REPORT**

**E-4.1** The increase in mass shall be calculated as the percentage increase on the original mass and the average value of five determinations shall be reported to the nearest 0.1 percent.

**APPENDIX F**

[ Table 3, Sl No. (vi) ]

**DETERMINATION OF IMPERMEABILITY**

**F-1. OBJECT**

**F-1.1** To determine the impermeability of corrugated asphaltic roofing sheets.

**F-2. TEST SPECIMEN**

**F-2.1** Five test pieces measuring 50 × 50 mm shall be cut from the flat portion of different sheets.

**F-3. APPARATUS**

**F-3.1** Transparent Glass Tube — 600 mm long and 25 mm internal diameter.

**F-3.2** Glass Beaker — 100 ml capacity.

**F-3.3** Clamp and Stand — To support the glass tube.

**F-4. PROCEDURE**

**F-4.1** Seal one end of the glass tube to the

middle of the test piece by epoxy resin. The sealing of the tube shall be done at the centre of the valley. Place the glass tube and the test specimen over the glass beaker and hold the glass tube vertically with the help of clamp and stand (see Fig. 2). Fill the tube with water to a height of 300 mm and ensure that water does not leak through the sealing. Maintain the level by adding few drops of oil at the top of the water column. Allow it to stand and examine the lower surface of the test piece after 24 h. Perform the test at  $27 \pm 2^\circ\text{C}$  and  $65 \pm 5$  percent relative humidity.

**F-5. REPORT**

**F-5.1** Record the formation of drops of water or traces of moisture at the under surface of the test piece.

**F-5.1.1** Average of all determinations shall be reported.

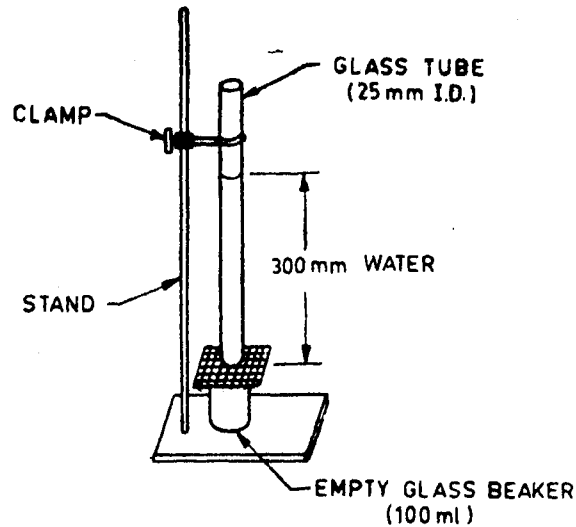


FIG. 2 APPARATUS FOR TESTING IMPERMEABILITY OF SHEET

## APPENDIX G

[ Table 3, Sl No. (vii) ]

### DETERMINATION OF IMPACT RESISTANCE

#### G-1. OBJECT

G-1.1 To determine the resistance to impact of corrugated asphaltic roofing sheets.

#### G-2. TEST SPECIMEN

G-2.1 Five full size sheets.

#### G-3. APPARATUS

G-3.1 Wooden purlins of size 50×50 mm, span 600 mm and a steel ball of 3 kg shall be

provided.

#### G-4. PROCEDURE

G-4.1 Fix the sheet on the wooden purline at 30° slope. Drop the steel ball on the surface of the sheet midway between the supports from a height of 1 500 mm. The steel ball shall be dropped once.

#### G-5. REPORT

G-5.1 Report for any tearing of the sheets.

## APPENDIX H

[ Table 3, Sl No. (viii) ]

### DETERMINATION OF WET LOAD BEARING CAPACITY

#### H-1. OBJECT

H-1.1 To examine the load bearing capacity of corrugated asphaltic roofing sheets under wet conditions.

#### H-2. TEST SPECIMEN

H-2.1 Two full size sheets.

#### H-3. APPARATUS

H-3.1 Wooden purlin supporting frame — dimensions as shown in Fig. 3.

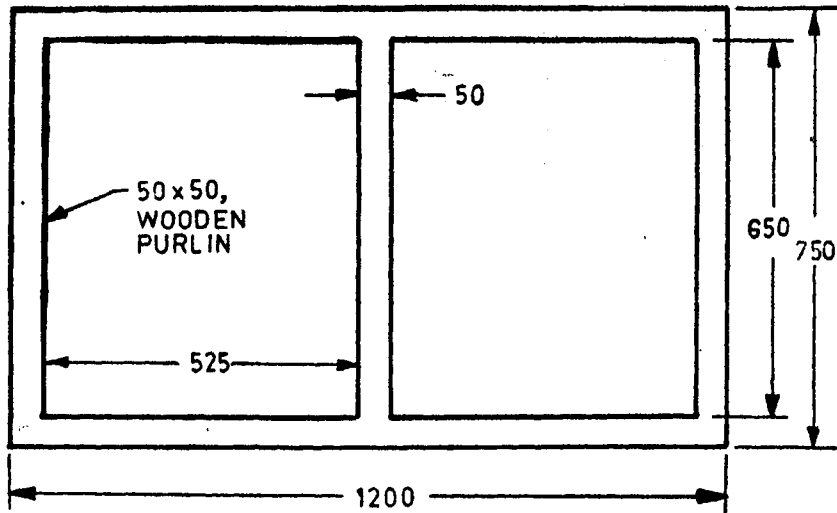
H-3.2 Natural sand — of 200 kg.

#### H-4. PROCEDURE

H-4.1 Fix the sheet on the purlin frame as shown in Fig. 4 and apply uniformly 50 litres distributed sand load on the sheet to a total weight of 200 kg. Pour water slowly over the entire area of the sheet until it begins to ooze out of edges of the frame containing the sand. Rewet the sand continuously to maintain a fairly uniform moisture content. Carry out the test for seven days.

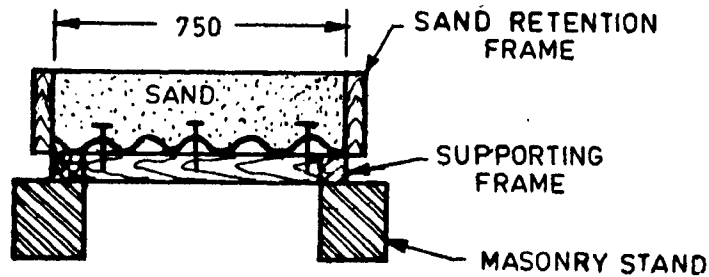
#### H-5. REPORT

H-5.1 Record any formation of moisture and cracks on the under surface of the sheet. Average of two determinations, shall be reported.

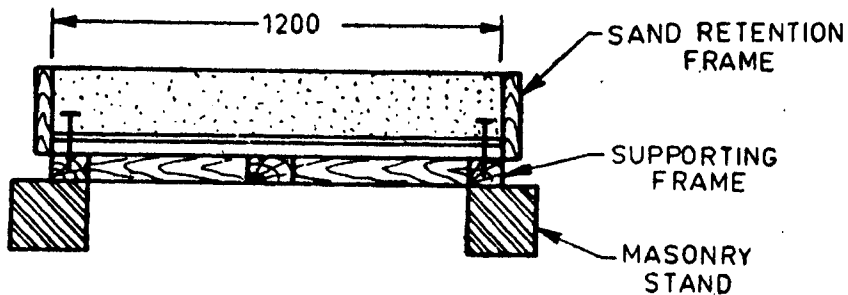


All dimensions in millimetres.

FIG. 3 WOODEN PURLINS SUPPORTING FRAME FOR TESTING WET LOAD BEARING CAPACITY



4A Cross Section of Testing Assembly



4B Longitudinal Section of Testing Assembly

All dimensions in millimetres.

FIG. 4 ASSEMBLY FOR TESTING THE WET LOAD BEARING CAPACITY

## APPENDIX J

[ Table 3, Sl No. (ix) ]

### DETERMINATION OF ACCELERATED WEATHERING

#### J-1. OBJECT

**J-1.1** To evaluate the effect of sunlight and water on the surface coating of asphaltic sheets and also to examine the overall condition of the material.

#### J-2. TEST SPECIMEN

**J-2.1** Five test pieces measuring 300 × 300 mm shall be cut out from different sheets.

#### J-3. APPARATUS

**J-3.1 Weatherometer** — A carbon electrode, twin arc type.

#### J-4. PROCEDURE

**J-4.1** Expose the test specimen for 2 000 hours in the weatherometer under alternate cycles of wetting and drying. The cycles shall consist of 18 min of water spray and sunlight and 102 min of light.

#### J-5. REPORT

**J-5.1** Report for cracks, colour change, flexibility, deterioration, sagging or any other surface defects as compared to unexposed sheets. Average of five determinations shall be reported.

## APPENDIX K

[ Table 3, Sl No. (x) ]

## DETERMINATION OF TEMPERATURE SUSCEPTIBILITY

**K-1. OBJECT**

**K-1.1** To examine the effect of high temperature on the asphaltic sheets.

**K-2. TEST SPECIMEN**

**K-2.1** Five test pieces each measuring 300 × 300 mm shall be cut from the different sheets.

**K-3. APPARATUS**

**K-3.1 Circulating Air Oven** — Having thermostatic control that can maintain a temperature of  $50 \pm 2^\circ\text{C}$ .

**K-4. PROCEDURE**

**K-4.1** Place the test specimens in the oven maintained at a temperature of  $50^\circ\text{C}$  for 7 days. Remove the sample from the oven.

**K-5. REPORT**

**K-5.1** Examine the test pieces and report for any softening or apparent change in colour, finish or cracking or any other deformation. Average of five determinations shall be reported.

## APPENDIX M

( Clause 9.1 )

## SAMPLING AND CRITERION FOR CONFORMITY

**M-1. LOT**

**M-1.1** All the corrugated asphaltic roofing sheets manufactured from same batches of asphalt and paper board under relatively similar conditions of manufacture shall constitute a lot.

**M-1.2** Each lot shall be taken up individually for sampling and for determining its conformity to the requirements of this specification. For this purpose, the samples shall be taken at random. For random, selection, the procedure for simple random sampling as given in IS : 4905-1968 may be adopted.

**M-2. SCALE OF SAMPLING AND CRITERIA FOR CONFORMITY FOR VISUAL AND DIMENSIONAL REQUIREMENTS**

**M-2.1** The number of sample sheets to be selected from a lot shall depend upon the size of the lot and shall be in accordance with col 1 and 2 of Table 4.

**M-2.2** All the sheets selected in M-2.1 shall be examined for visual and dimensional characteristics. Any sheet failing in any one or more of

the visual and dimensional requirements shall be considered to be a defective sheet. If the number of defective sheets found in the sample is less than or equal to the corresponding number as specified in col 3 of Table 4, the lot shall be considered as satisfying the requirements of visual and dimensional characteristics. However, if the number of defective sheets in the sample is greater than the corresponding permissible number of defectives, the lot shall be deemed as not satisfying the visual and dimensional requirements.

**M-3. SCALE OF SAMPLING AND CRITERIA FOR CONFORMITY FOR THE REMAINING REQUIREMENTS OTHER THAN WET LOAD BEARING CAPACITY, ACCELERATED WEATHERING AND TEMPERATURE**

**M-3.1** The lot which has been found satisfactory in M-2.1 in respect of visual and dimensional requirements shall be subjected to the remaining tests except for wet load bearing capacity, accelerated weathering and temperature susceptibility. The sheets for this purpose shall be taken at random from those already drawn in M-2.1. Each of these tests shall be carried out

\*Methods for random sampling.

TABLE 4 SCALE OF SAMPLING

( Clauses M-2.1, M-2.2, M-3.1 and M-3.4 )

NUMBER OF SHEETS IN THE LOT	NUMBER OF SAMPLE SHEETS FOR VISUAL AND DIMENSIONAL REQUIREMENTS	PERMISSIBLE NUMBER OF DEFECTIVES	SIZE OF SUB-SAMPLE No. 1	SIZE OF SUB-SAMPLE No. 2
(1)	(2)	(3)	(4)	(5)
Up to 25	8	0	3	*
26 to 100	13	0	3	*
101 to 500	20	1	3	1
501 and above	32	2	5	2

\*Test certificate from the manufacturer required for the acceptance of the lot.

on sub-sample No. 1 in accordance with col 4 of Table 4.

**M-3.2** In respect of each of the measurable requirements like asphalt content, uniformity of impregnation, ash content, breaking load and water absorption, from the test results the sample mean ( $\bar{x}$ ) and the sample range ( $R$ , that is, the maximum result - the minimum result) shall be computed.

**M-3.2.1** The minimum specified limit shall be deemed to have been satisfied if ( $\bar{x} - 0.6R$ ) is greater than or equal to the minimum specified limit.

**M-3.2.2** The maximum specified limit shall be

deemed to have been satisfied if ( $\bar{x} + 0.6R$ ) is less than or equal to the maximum specified limit.

**M-3.3** In respect of each of the requirements of permeability, impact resistance and wind resistance, all the sheets in the sub-sample No. 1 shall be required to pass individually for the acceptance of the lot.

**M-3.4** For wet load bearing capacity, accelerated weathering and temperature susceptibility, the number of sheets to be tested are indicated in sub-sample No. 2 in col 5 of Table 4. Each sample tested for this requirement shall be required to pass the test for the acceptance of the lot.

# BUREAU OF INDIAN STANDARDS

## Headquarters:

Manak Bhavan, 9 Bahadur Shah Zafar Marg, NEW DELHI 110002  
Telephones : 3310131, 3311375

Telegrams : Manaksanstha  
(Common to all Offices)

## Regional Offices:

Telephone

Central : Manak Bhavan, 9 Bahadur Shah Zafar Marg, NEW DELHI 110002	3310131, 3311375
*Eastern : 1/14 C.I.T. Scheme VII M, V.I.P. Road, Maniktola, CALCUTTA 700054	362499
Northern : SCO 445-446, Sector 35-C, CHANDIGARH 160036	21843, 31641
Southern : C.I.T. Campus, MADRAS 600113	412442, 412519, 412916
†Western : Manakalaya, E9 MIDC, Marol Andheri ( East ), BOMBAY 400093	6329295

## Branch Offices:

'Pushpak' Nur Mohamed Shaikh Marg Khanpur AHMADABAD 380001	26348, 26349
Peenya Industrial Area, 1st Stage, Bangalore-Tumkur Road, BANGALORE 560058	384955, 384956
Gangotri Complex, 5th Floor, Bhadbhada Road, T.T. Nagar, BHOPAL 462003	66716
Plot No. 82/83, Lewis Road, BHUBANESHWAR 751002	53627
53/5 Ward No. 29, R.G. Barua Road, 5th By-Lane, GUWAHATI 781003	—
5-8-56C L.N. Gupta Marg ( Nampally Station Road ), HYDERABAD 500001	231083
R14 Yudhister Marg, C Scheme, JAIPUR 302005	63471, 69832
117/418 B Sarvodaya Nagar, KANPUR 208005	218876, 218292
Patliputra Industrial Estate, PATNA 800013	62305
T.C. No. 14/1421, University P.O., Palyam, TRIVANDRUM 695035	62104, 62117

## Inspection Offices ( With Sale Point ):

Pushpanjali, 1st Floor, 205A West High Court Road, Shankar Nagar Square, NAGPUR 440010	25171
Institution of Engineers (India) Building, 1332 Shivaji Nagar. PUNE 411005	52435

*Sales Office in Calcutta is at 5 Chowringhee Approach, P.O. Princep Street, Calcutta 700072	276800
†Sales Office in Bombay is at Novelty Chambers, Grant Road, Bombay 400007	896528